

PART NUMBER

LDA9605 - 2 Gang Plate with Key Switch & Emergency Door Release Button - uses 85dB Sounder

LDA9615 - 2 Gang Plate with Key Switch & Emergency Door Release Button - uses 95dB sounder

OVERVIEW

This application uses a Local Door Alarm prewired to a 1 1/2" latching red button to provide an Emergency Door Release function for a Fail-safe lock.

FEATURES

- ◇ Access and Secure LED's
- ◇ Double Gang Box Mounting
- ◇ Emergency Door Release Button
- ◇ Onboard Key Switch
- ◇ Other Colors Available

**OPERATION**

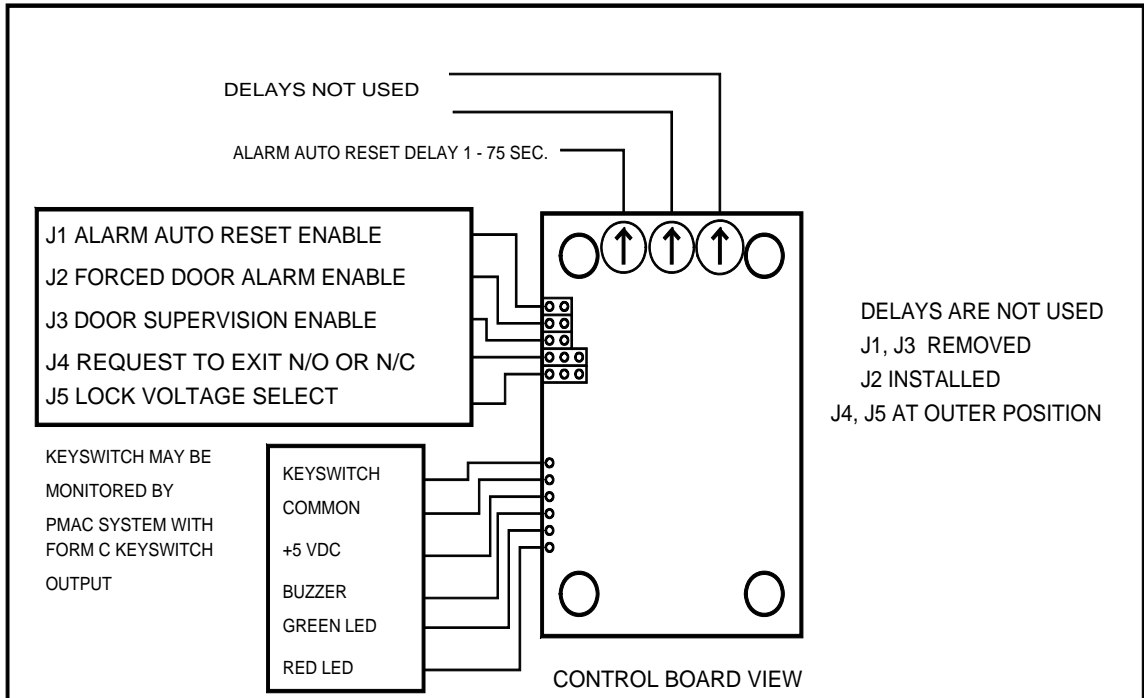
Pressing the button releases lock power and turns the alarm on. The alarm will remain latched on until reset by the Key Switch, or by the optional Alarm Automatic Reset Time Delay.

During alarm, the Normally Close (N/C) Alarm Relay opens and the sounder is turned on.

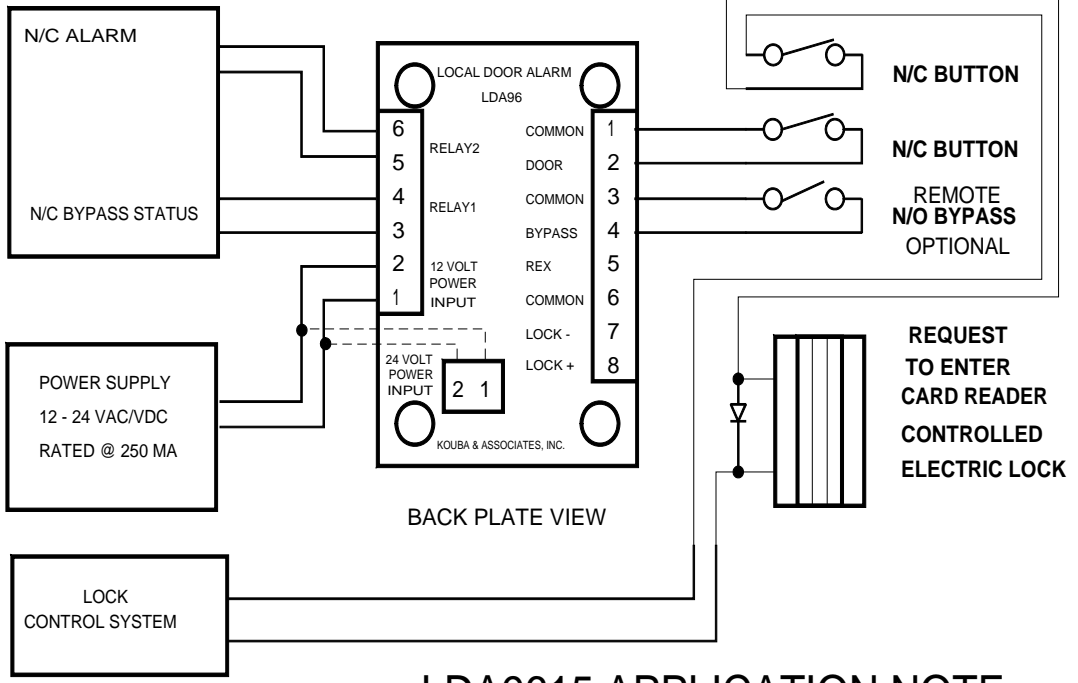
Pulling the Emergency Door Release Button out resets the latching button. Resetting the button will re-apply power to the lock, but will not reset the alarm.

TECHNICAL SPECIFICATIONS

Power	12 - 24 VAC / VDC @ 250 max
Inputs	Pre-wired latching N/C button contact Pre-wired 2 position reset / bypass key switch Optional normally open remote reset / bypass contact
Outputs	Latching N/C lock control contact on button, rated @ 10 A. Latching N/C alarm status relay, rated @ 1/2 A. SPDT key switch status contact on key switch, rated @ 1/2 A. Sounder rated at 85dB (9605) or 95dB (9615) Red LED indicates armed status Green LED indicates bypass status
Mounting	2 Gang, 2-1/2 inch deep electrical box



ALARM MONITORING SYSTEM



LDA9615 APPLICATION NOTE